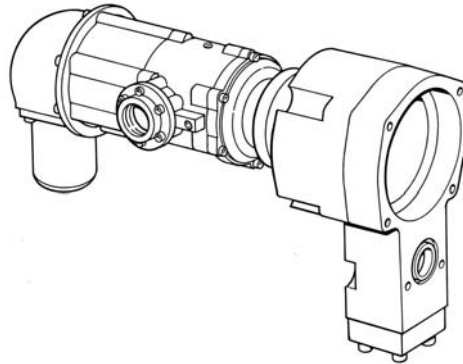


# ILLUSTRATED PARTS BREAKDOWN



## **MODEL: T100-C** ***TURBOTWIN* Engine Air Starter** **PN: T115-60057-C0L-1-9E**



### **IMPORTANT NOTE**

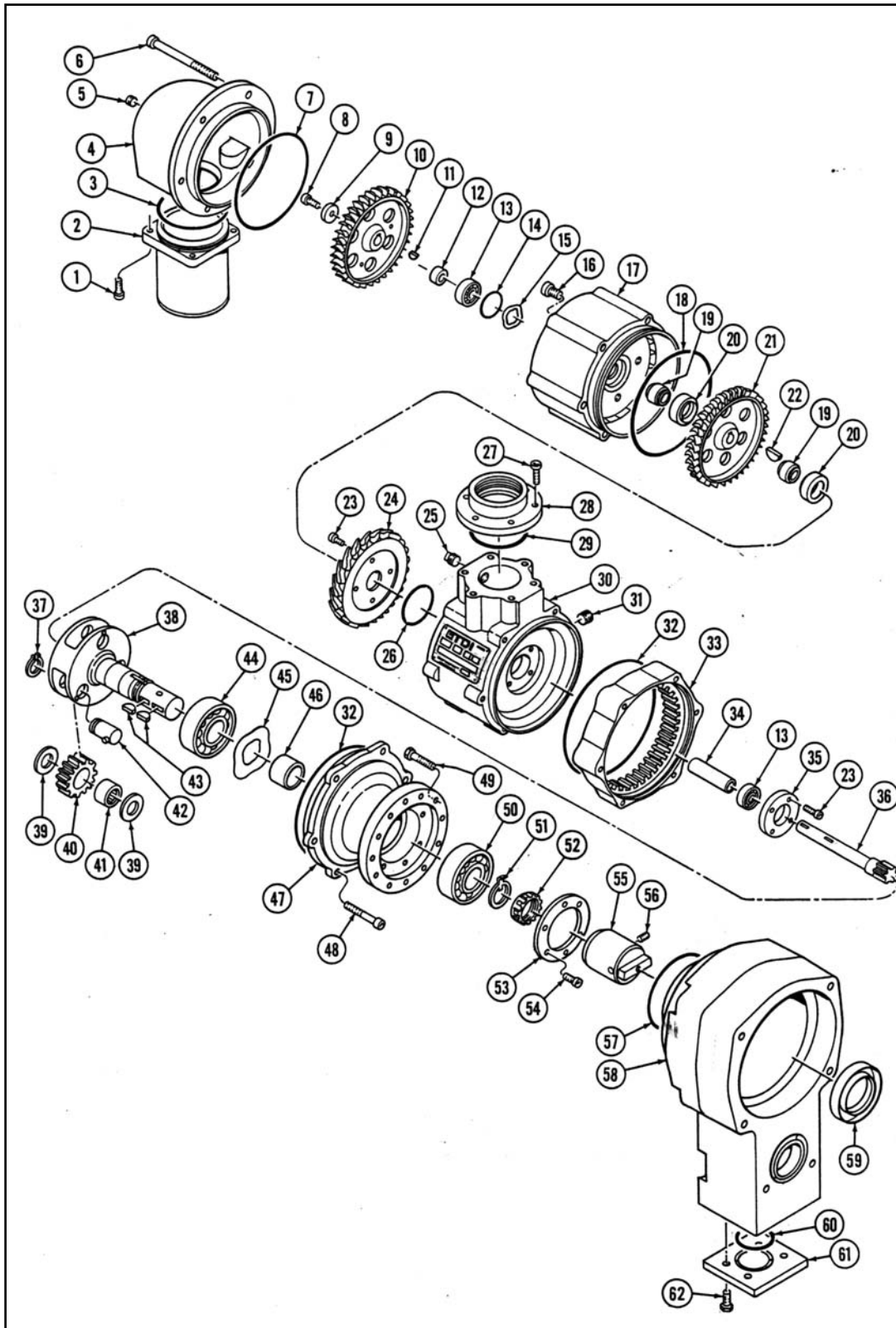
The purpose of this illustrated parts breakdown is to provide part number identification of the various components of the listed starters. Only those parts which may be disassembled at the field or repair shop level are broken out and identified. Certain parts or components are "factory only" assemblies, and should not be disassembled below the level shown in this document. Do not disassemble or reassemble the starter without referring to the proper TDI TURBOTWIN service manual. The use of improper procedures, non-authorized replacement parts or incorrect tools, may result in a faulty operating starter which could affect its performance or create a hazardous condition.

Key No.	Description	Part Number	Overhaul Kit PN: T10C-28954
1	Screw (4)	14F-37516-016	x
2	Exhaust Fitting – Weld	2-28011	
3	O-ring	9-90002-041	x
4	Elbow - 90°	2-27720	
4	Elbow - 90° (Barring Tool Option Only)	2-28698	
5	Pipe Plug	9-93501-003	
6	Screw (6)	11F- 25020-072	x
7	O-ring	9-90001-050	x
8	Screw	14F- 25028-012	x
9	Washer	9-93047	
9	Washer (Barring Tool Option Only)	2-28699	
10	Rotor 2	2-26604	
11	Woodruff Key	9-90211-006	
11	Square Key (Barring Tool Option Only)	9-90220-078	
12	Bearing Spacer	9-93091-005	
13	Bearing (2)	9-91224	x
14	O-ring	9-90001-027	x
15	Wave Spring Washer	9-90439	x
16	Screw (4)	11A-37516-008	x
17	Nozzle 2/Containment Ring L.H.	2-27333-00L	
18	O-ring	9-90001-050	x
19	Seal Spacer (2)	9-93083-001	x
20	Lip Seal (2)	2-26719	x
21	Rotor 1	2-26603	
22	Woodruff Key	9-90211-009	
23	Screw (8)	14F-19024-008	x

**TDI TURBOTWIN™**  
FROM TECH DEVELOPMENT

Key No.	Description	Part Number	Overhaul Kit PN: T10C- 28954
24	Nozzle 1, L.H., 12 Noz	2-26718-12L	
24	Nozzle 1, L.H., 15 Noz	2-26718-15L	
24	Nozzle 1, L.H., 21 Noz	2-26718-21L	
25	Pipe Plug	9-93556-004	
26	O-ring	9-90001-034	x
27	Screw (6)	14F-31218-016	x
28	Inlet Flange	1-18967	
29	O-ring	9-90001-037	x
30	Turbine Housing	2-27869	
31	Pipe Plug	9-93501-004	
32	O-ring (2)	9-90001-050	x
33	Ring Gear	2-27870	
34	Bearing Spacer	9-93091-001	
35	Clamping Plate	2-26750	
36	Turbine Shaft	2-27238	
36	Turbine Shaft (Barring Tool Option Only)	2-28827	
37	Retainer Ring (3)	9-92001-001	
38	Planet Gear Carrier Shaft	2P-20156-007	
39	Washer (6)	9-93004	
40	Planet Gear (3)	1-18779	
41	Needle Roller Bearing (3)	9-91004-001	x
42	Planet Shaft (3)	2P-20182	
43	Woodruff Key (2)	9-90211-019	
44	Bearing (2)	9-91351	x
45	Wave Spring Washer	9-90402-025	
46	Bearing Spacer	9-93007	

Key No.	Description	Part Number	Overhaul Kit PN: T10C-28954
47	Gearbox Housing	1-18810	
48	Screw (6)	11F-25020-036	x
49	Screw (6)	71F-31218-024	x
50	Bearing (2)	9-91351	x
51	Lockwasher	9-93061-007	
52	Retainer Nut	9-92127-007	
53	Bearing Retainer	1-18817	
54	Screw	14F-19024-008	x
55	Coupling	2-28239	
56	Set Screw	82F-43820-008	x
57	O-ring	9-90002-045	x
58	Adapter Housing	2-28237	
59	Lip Seal	2-28241	x
60	O-ring	9-90002-228	x
61	4 Bolt Flange, Hydraulic	2-28269	
62	Screw (4)	74F-50013-020	x



Exploded View of T100-C *TURBOTWIN* Air Starter (T115-60057-C0L-1-9E)